

ENQUIRY

Company _____

Name _____

Adress _____

ZIP | Clity _____

**PUCEST FUNNEL LINING TYPE 2 - CONE STRAIGHT ON ONE SIDE
RESPECTIVELY CONE ECCENTRIC**

Version:

Welded Insert

Segments with aluminum perforated plate-insert

Milled segments with steel perforated plate-insert

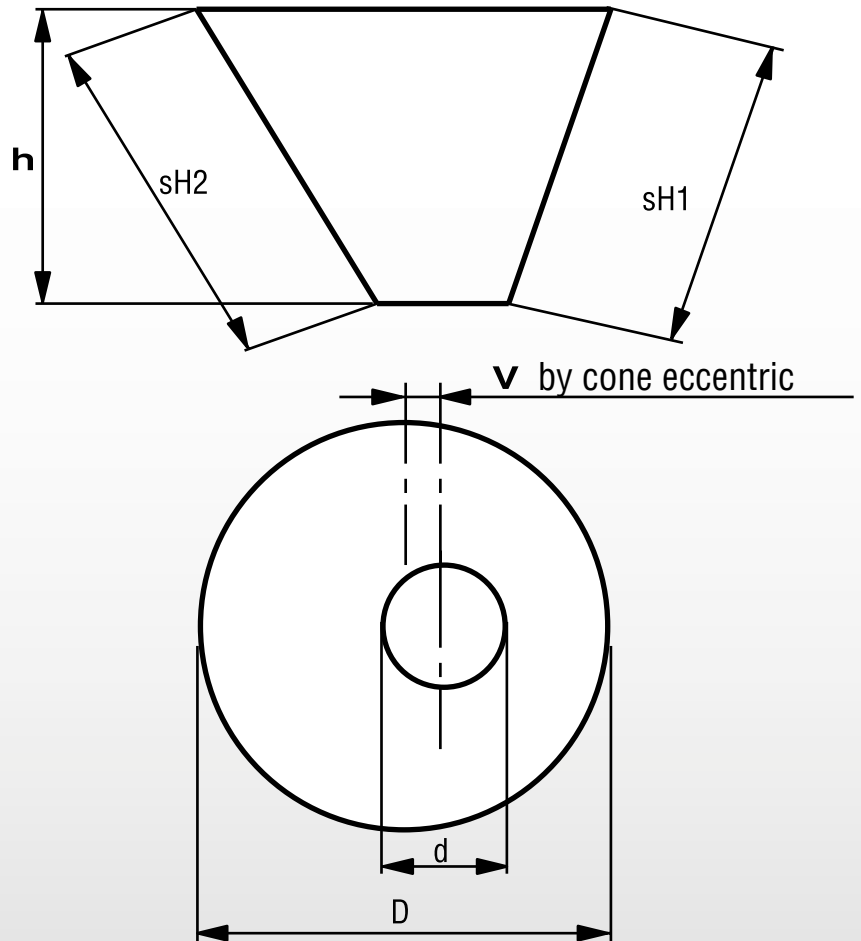
Material:

PUCEST Standard

PUCEST Antiadhesion

Material thickness:

_____ mm



h = _____ mm sH1 = _____ mm sH2 = _____ mm

d = _____ mm D = _____ mm V = _____ mm