

ENQUIRY

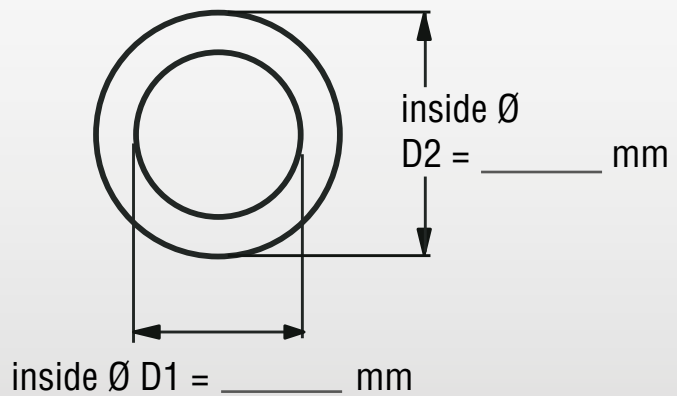
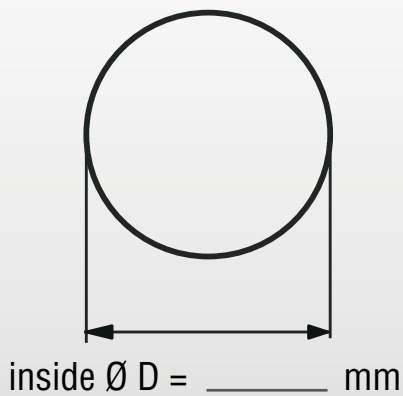
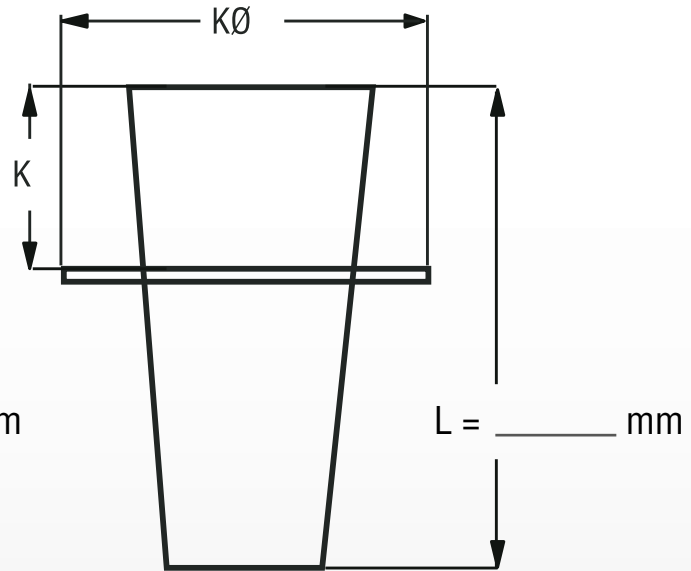
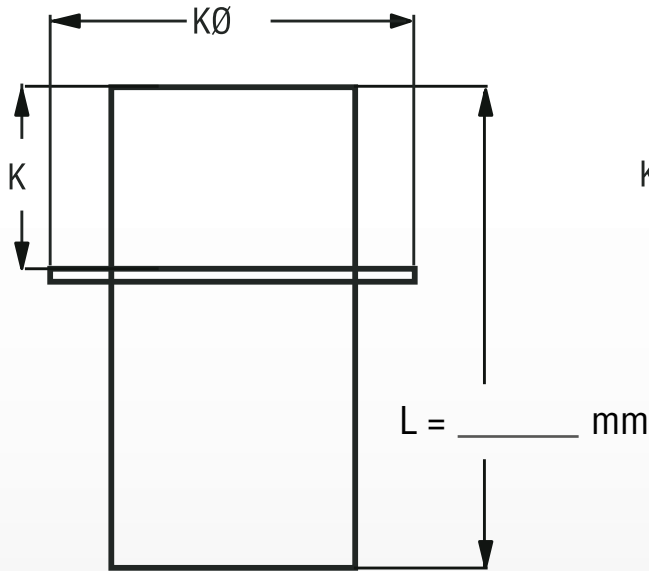
Company _____

Name _____

Address _____

ZIP | Clity _____

**OUTLET HOSES / CUFFS WITH COLLAR
CYLINDRICAL / CONICAL**



COLLAR

K = _____ mm K Ø = _____ mm

Material thickness: _____ mm

Are clamps needed?