

**ENQUIRY**

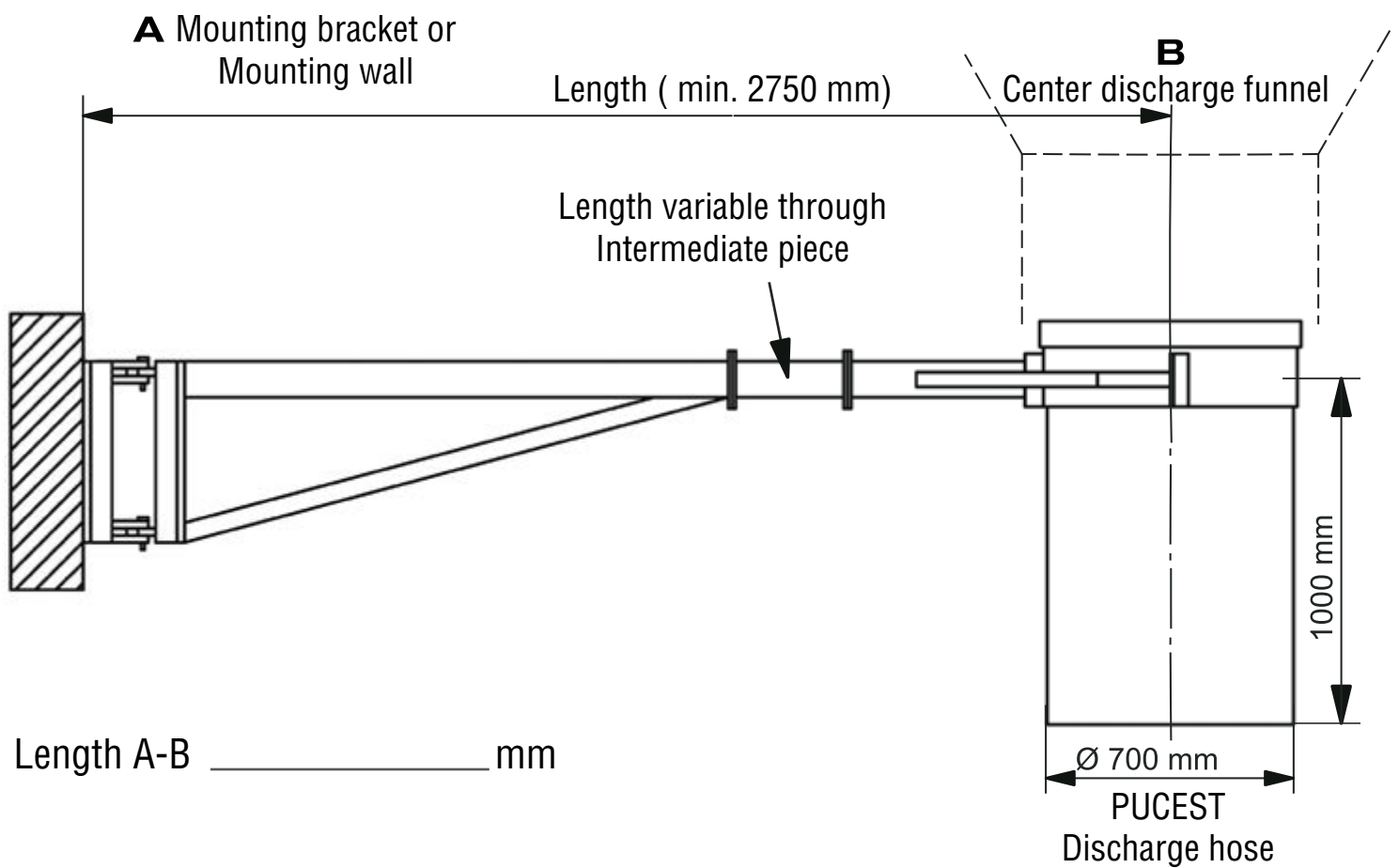
Company \_\_\_\_\_

Name \_\_\_\_\_

Address \_\_\_\_\_

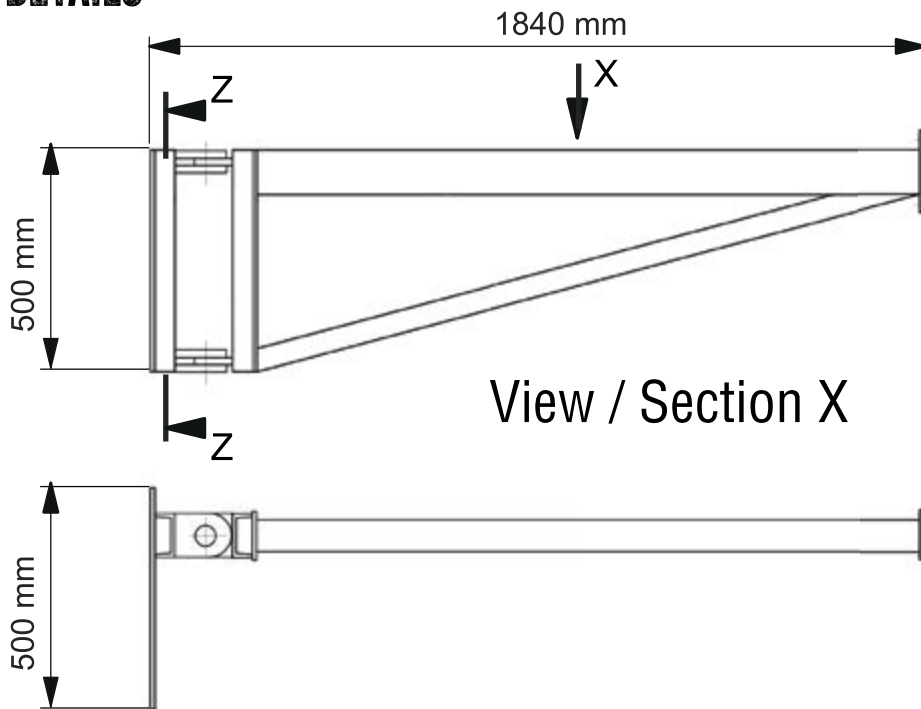
ZIP | Clity \_\_\_\_\_

**SWING ARM WITH PNEUMATIC DRIVET**



**NOTES**

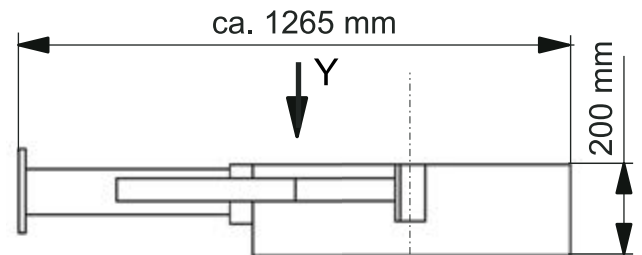
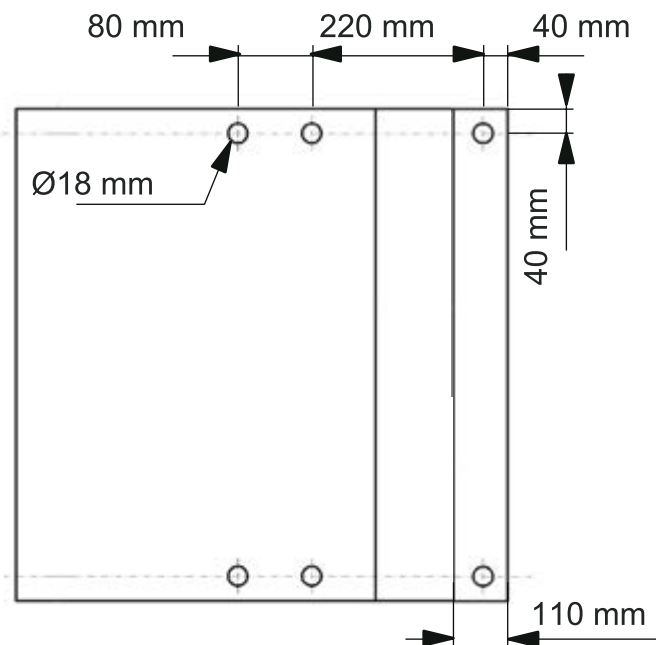
**SWING ARM DETAILS**



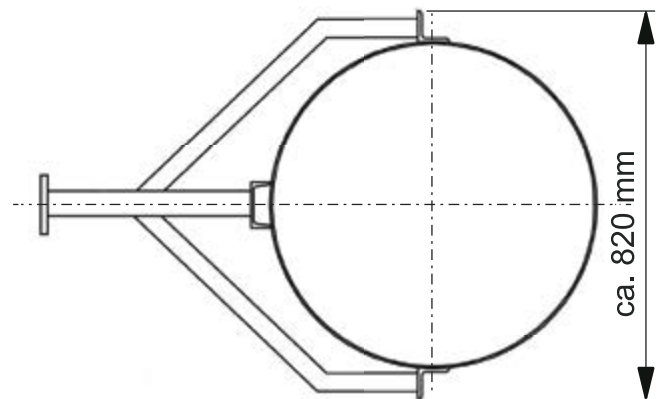
View / Section X

**View / Section Z**

(enlarged image)



View / Section Y



**NOTES**