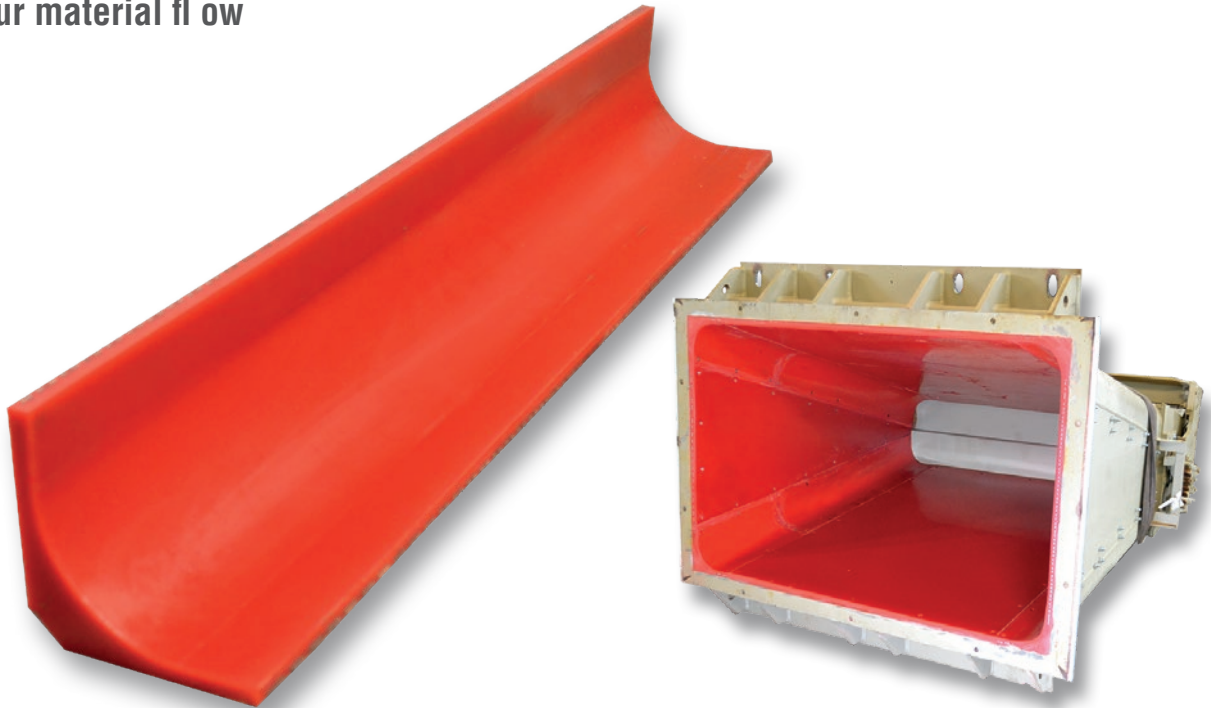


ROUND CORNER

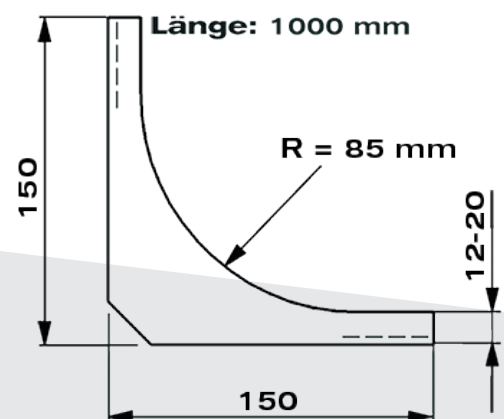
The optimization
of your material flow



The round corner of PUCEST prevents the accumulation of material in the corners.
Material is conveyed to the PUCEST wear plaques, e.g. Hexagon-Protector.

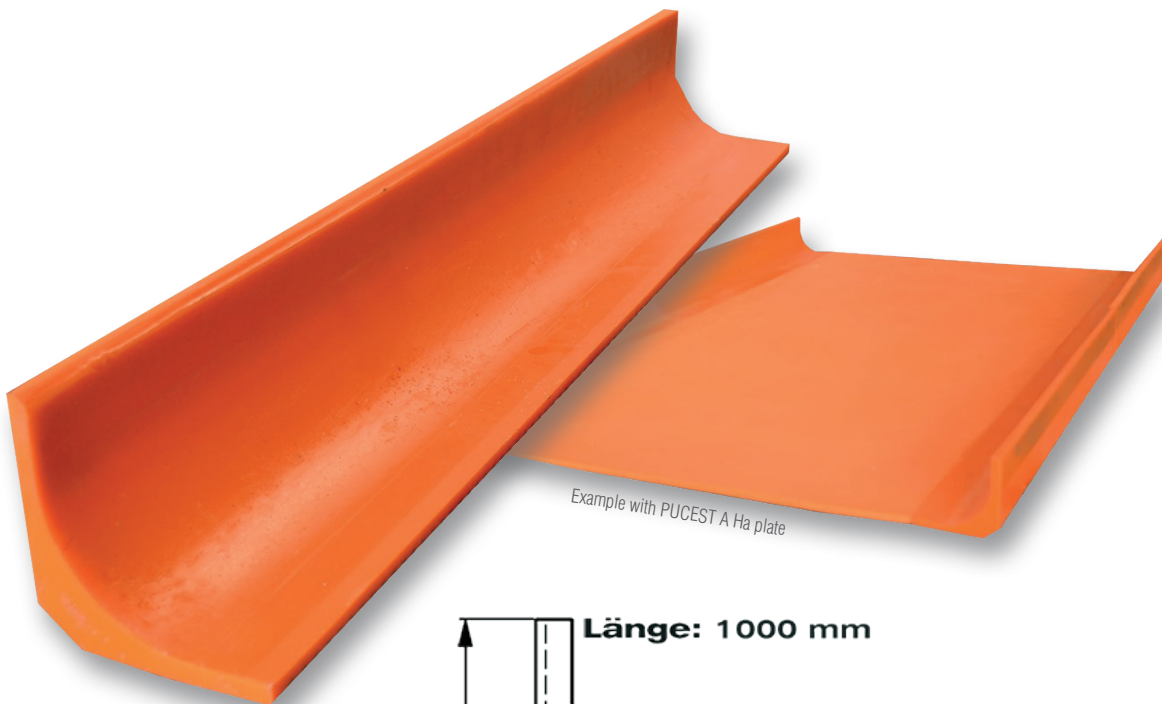
ADVANTAGES OF THE CHANGE TO PUCEST:

- Short idle times concerning the exchange of damaged lining parts
- Extremely wear resistant
- Coarse bulk goods (e.g. gravel) do not break into pieces when they bounce

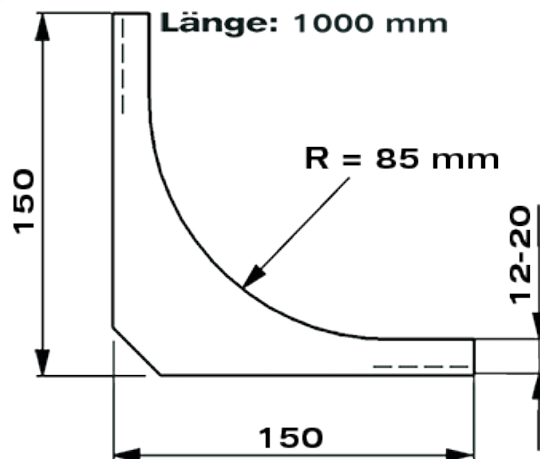


ROUND CORNER A HA

The anti-adherence-version



Example with PUCEST A Ha plate



MATERIAL PROPERTIES

Degree of Hardness	DIN 53 505	ShoreA	55	65	85	TIX
Abrasion	DIN ISO 4649	mm ³	6,3	6,4	7,6	41,9
Tensile strength	DIN 53 504	N/mm ²	24,6	43,3	47,7	...
Tear prolongation resistance	DIN ISO 34-1	N/mm	18,7	20,8	25,1	...
Elongation at tear	DIN 53 504	%	623	564	475	225
Rebound Resilience	DIN 53 512	%	50	50	43	...
Temperature range	from -30 ° to 80 °, max. during short time up to 100 °					