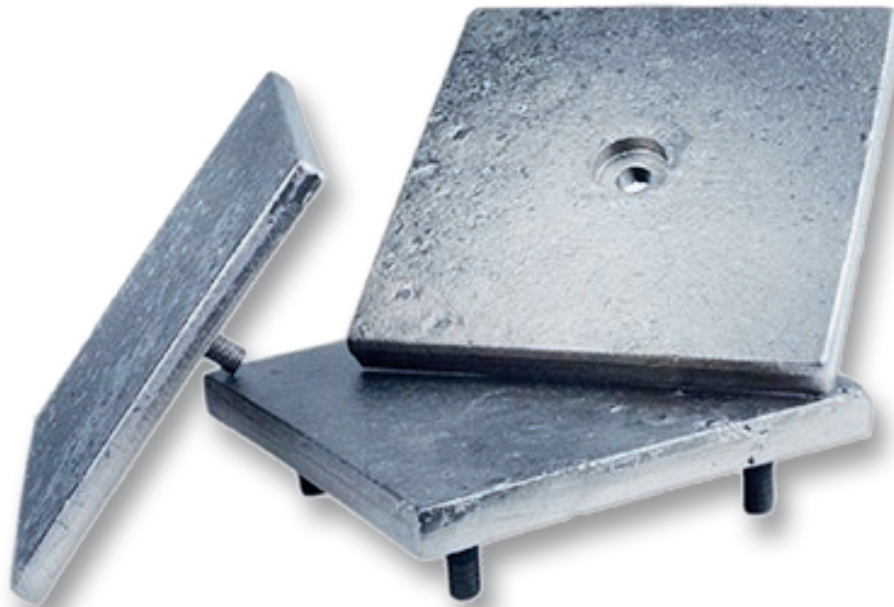
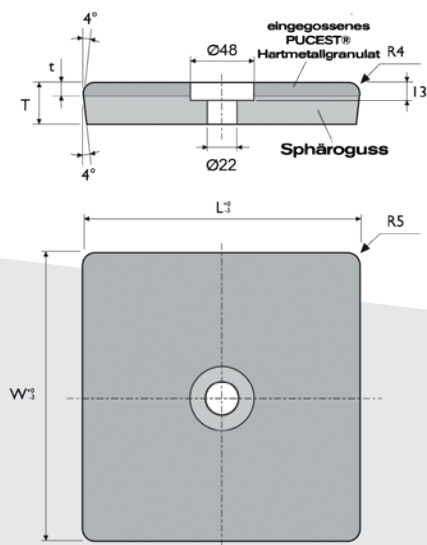


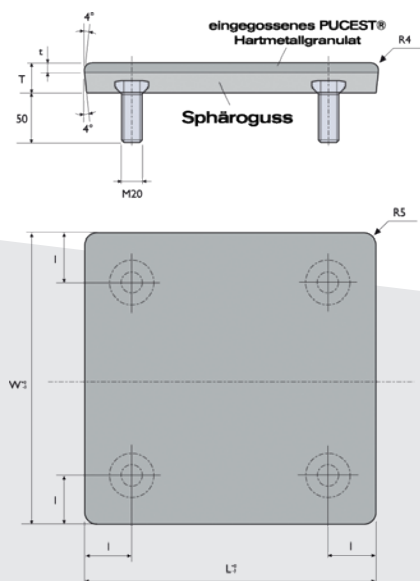
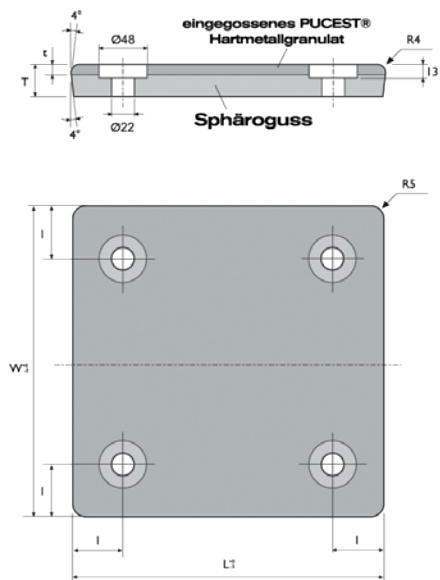
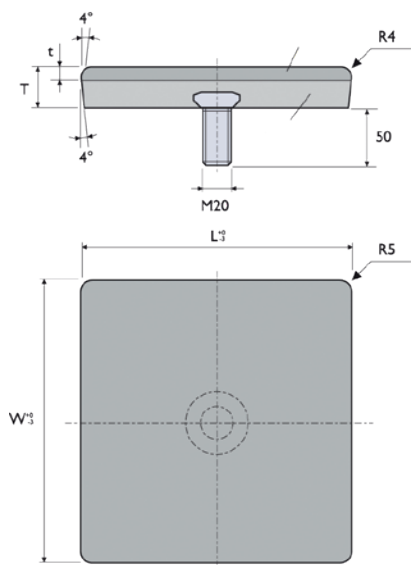
HM COMPOSITE PANELS



PUCEST HM composite panels are used in tubes, skips, slips, hoppers and pipes subject to strong impact and massive abrasive wear. In order to comply with this requirements the choice of PUCEST HM composite panels is the perfect choice.



PUCEST HM composite panels with hole			
Length L (mm)	Width W (mm)	General Thickness T (mm)	Granulate Thickness t (mm)
200	200	30	10
200	200	20	8
250	250	30	10
250	250	20	8
300	300	30	10
300	300	20	8



PUCEST HM composite panels with bolts

Length L (mm)	Width W (mm)	Gesamt Stärke T (mm)	Granulat Stärke t (mm)
200	200	30	10
200	200	20	8
250	250	30	10
250	250	20	8
300	300	30	10
300	300	20	8

PUCEST HM composite panels with 4 holes

Length L (mm)	Width W (mm)	Length, Corner to hole l (mm)	General Thickness T (mm)	Granulate Thickness t (mm)
400	300	50	30	10
400	300	50	20	8
300	300	50	30	10
300	300	50	20	8
300	300	75	30	10
300	300	75	20	8

PUCEST HM composite panels with 4 bolts

Length L (mm)	Width W (mm)	Length, Corner to hole l (mm)	General Thickness T (mm)	Granulate Thickness t (mm)
400	300	50	30	10
400	300	50	20	8
300	300	50	30	10
300	300	50	20	8
300	300	75	30	10
300	300	75	20	8