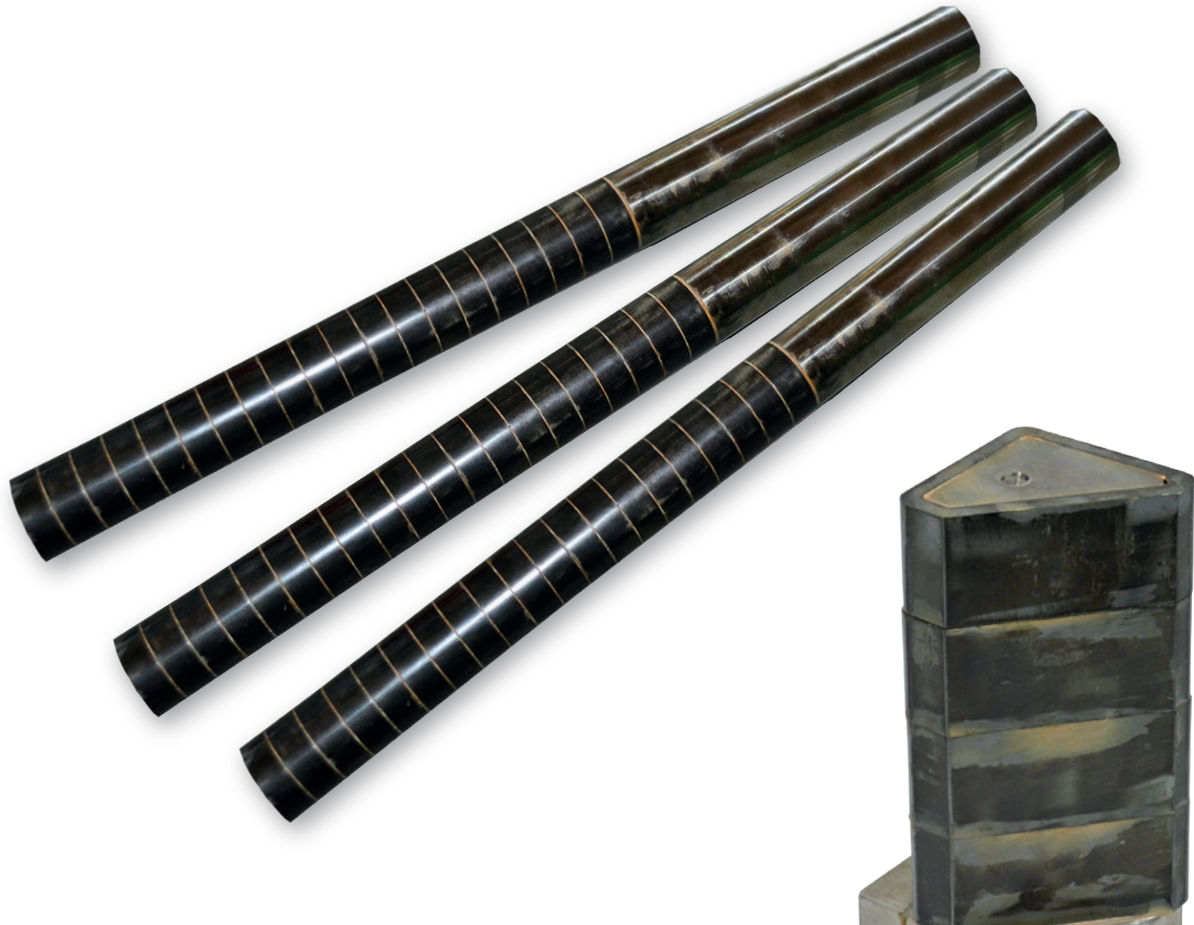


AGITATOR RODS WITH CEMENTED CARBIDE

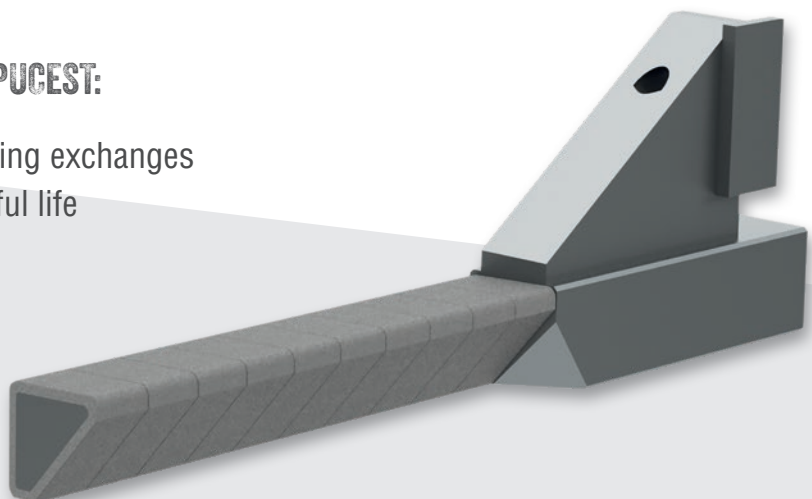


THE AGITATOR RODS ARE DUE TO THE CEMENTED CARBIDE PROTECTED FROM WEAR

PUCEST agitator rods with cemented carbide are characterized by their high wear resistance against abrasive mixing material.

ADVANTAGES OF THE CHANGE TO PUCEST:

- Short idle times concerning exchanges
- Considerably higher useful life



CARBIDE

PUCEST carbide for abrasive mixing materials

Long-lasting carbide wear-edges with a
completely new geometry



**DO YOU HAVE QUESTIONS CONCERNING WEAR PROTECTION
MADE OF CARBIDE?**

We are pleased to inform you about the possibilities of applying carbide